

19 " VTB Network Wall Mounting Cabinets

Load Capacity: 25kg

Standards and Compliances:



ISO9001:2015

Quality Management System



CE conform to EN61000-3-2

Information Technology Equipment, Safety,
ENIEC61000-4-11 Audio/Video, Information
and Communication Technology Equipment
Part 1: Safety requirements

Standard:

Comply with ANSI/EIARS-310-D,
IEC297-2、DIN41494;PART1;
DIN41494;PART7

Material:

SPCC Cold Rolled Steel;

19"rails:1.5mm,others:0.8mm

Loading capacity:Static loading:22KG

19"rails:1.5mm,others:1.0mm

Loading capacity:Static loading:25KG

Standard Colors:

RAL 7035 Light Grey

RAL 9005 Black

XTRACOR

Product Model:4U-VTB

6U-VTB

9U-VTB

12U-VTB

15U-VTB

VTB 6U



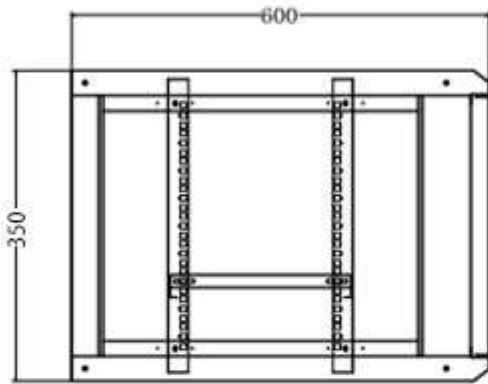
W600*D450*H350
W600*D600*H350



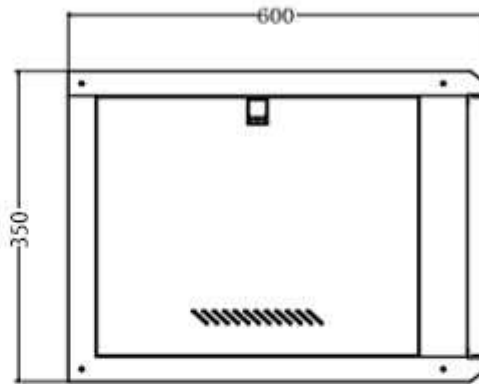
19 " VTB Network Wall Mounting Cabinets



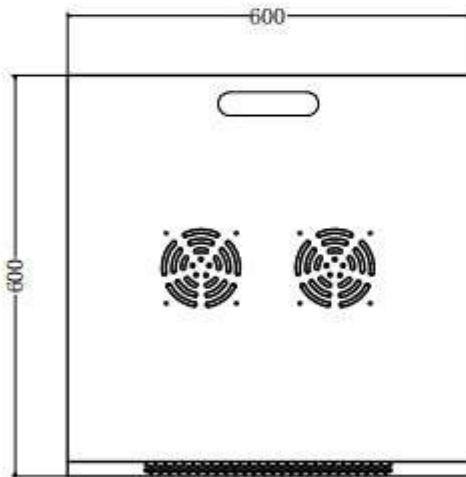
Construction Drawing



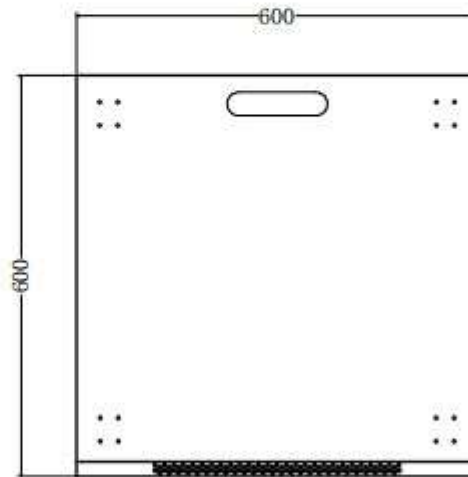
DEEP



SIDE



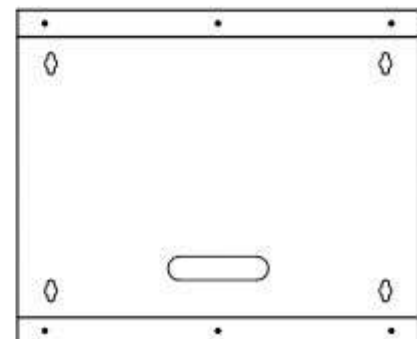
TOP



BOTTOM

Feature:

- Completely glass front door, quick open the side panel and rear panel, convenient and flexible.
- The overall welding structure, firm structure, static load bearing of up to 25 kg,
- The top and bottom can be closed knock off type 2 place walk line channel
- Backplane removable, can be completely opened on the back.

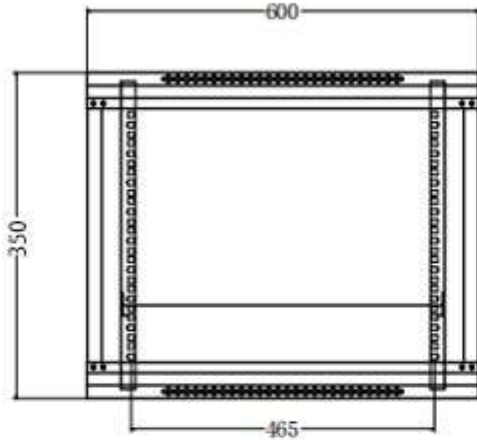


BACK

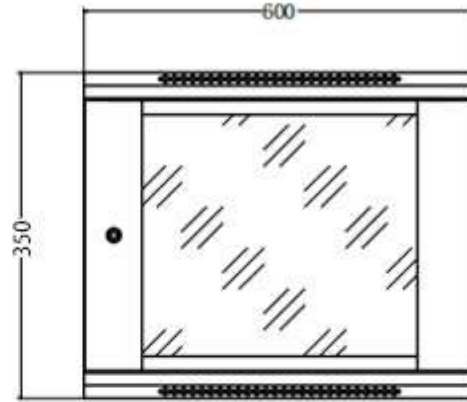
19" VTB Network Wall Mounting Cabinets



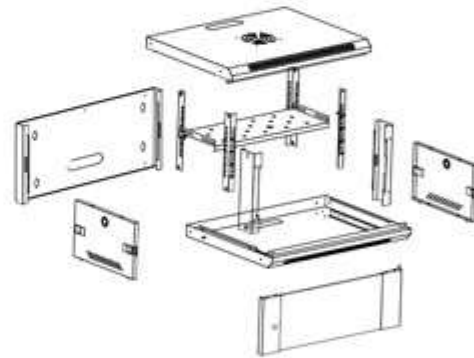
Construction Drawing



A-Section A



FRONT



Product Description	Size W*D*Hmm	h Size in U	Width Overall mm	Width Rail to Rear Door	Depth Overall mm	QTY IN PACKAGE	PACKING DIMENSIONS	Gross Weight of Product kgs
4U 19" Wall Mounting Cabinet W=600 mm D=450/600 mm	600*450*280 600*600*280	4U	600	19"	450/600	1	0.10	11.5/12.8
6U 19" Wall Mounting Cabinet W=600 mm D=450/600 mm	600*450*350 600*600*350	6U	600	19"	450/600	1	0.10	12.8/15.1
9U 19" Wall Mounting Cabinet W=600 mm D=450/600 mm	600*450*450 600*600*450	9U	600	19"	450/600	1	0.09	15.7/18.1
12U 19" Wall Mounting Cabinet W=600 mm D=450/600 mm	600*450*600 600*600*600	12U	600	19"	450/600	1	0.10	19.1/21.6
15U 19" Wall Mounting Cabinet W=600 mm D=450/600 mm	600*450*750 600*600*750	15U	600	19"	450/600	1	0.11	21.2/23.7