



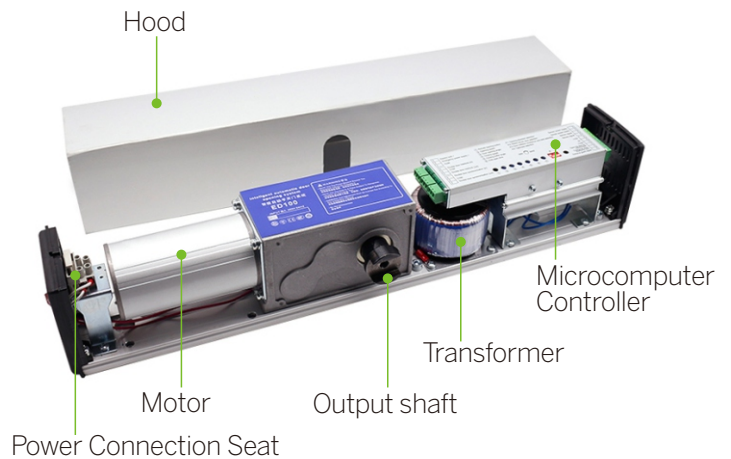
Automatic Swing Door Operator



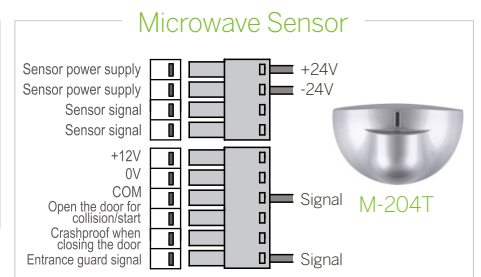
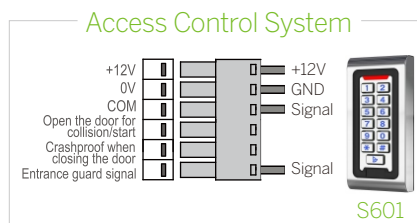
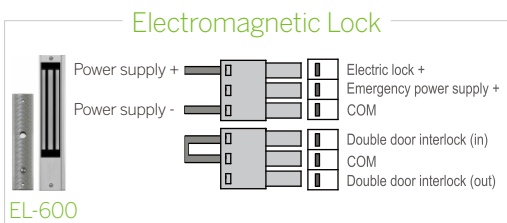
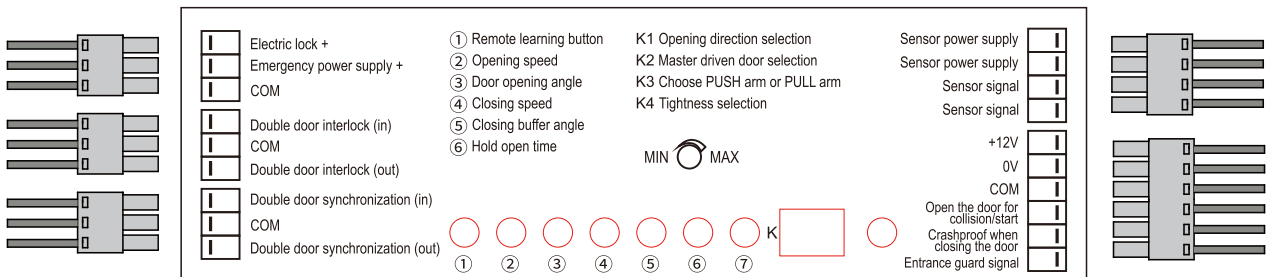
ED100

Specifications

Power supply	110V or 220V-240V
Opening time	3~7s / 90°
Opening and holding time	1-30s
Temperature	-20°C~55°C
Protection level	IP12D
Dimensions	516x105x82mm
Packing box	626x197x152mm
Weight	8.5kg

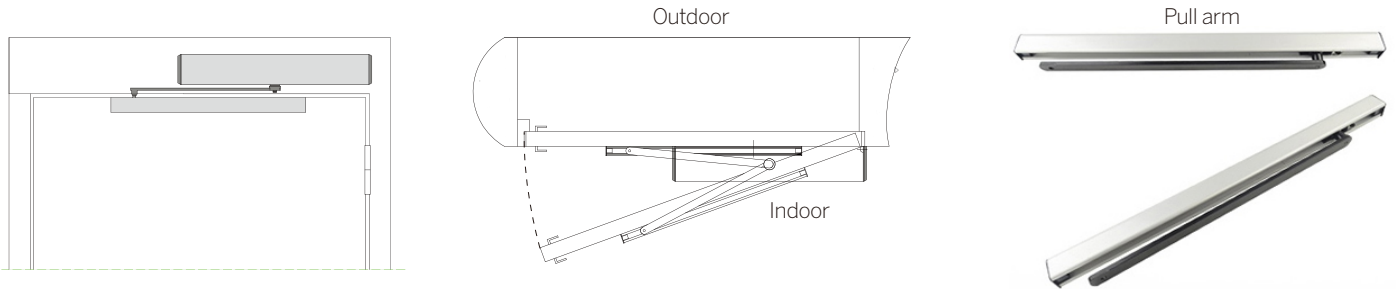


Microcomputer Controller

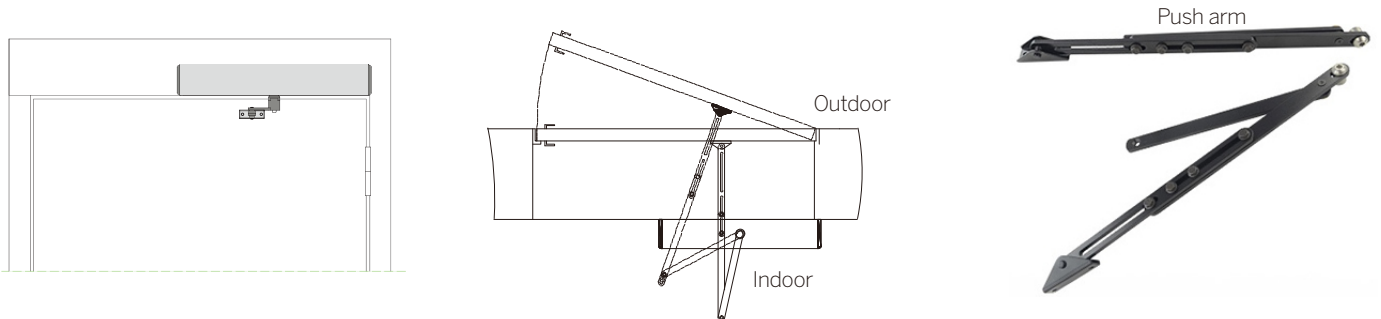


Installation mode

Pull-arm mounting: Suitable for door wing opening inward (drive system inside)



Push Arm Installation: Suitable for door wing opening outward (drive system inside)



Accessories

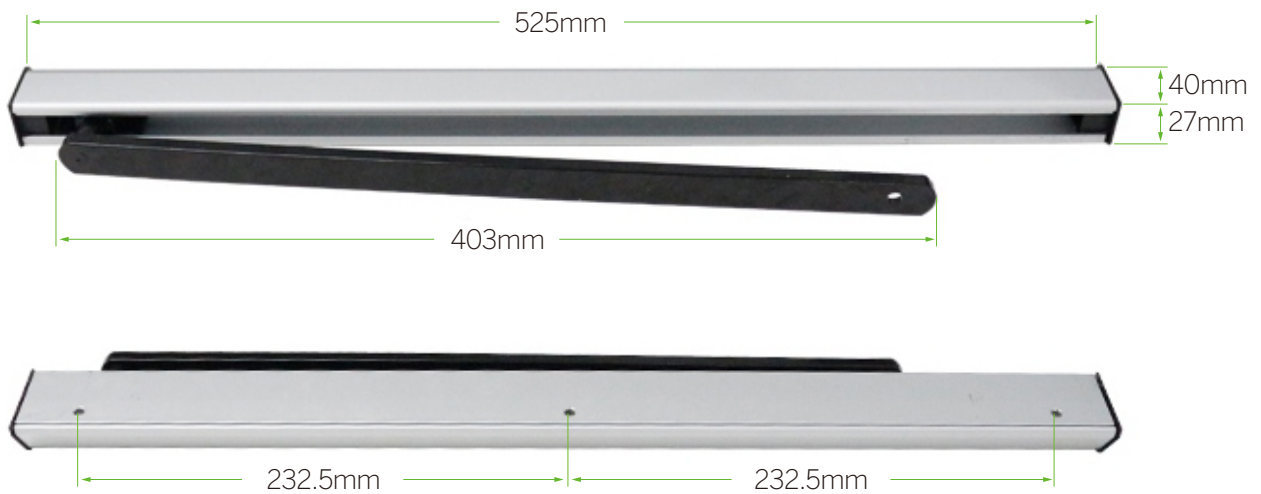


Dimensions

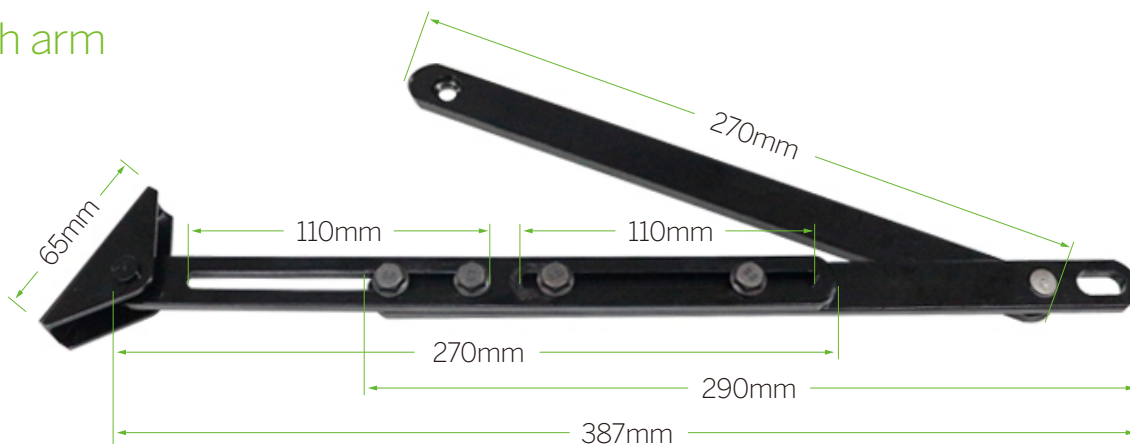
L516 x W82 x H105mm



Pull arm



Push arm



S4A Industrial Co., Limited

Address: The 2nd floor, Jinmin'an Industrial Zone, #529, Bulong Rd.
Bantian St. Longgang Dist. Shenzhen, PRC.. CN 518131

www.S4A.com.cn

E-mail: sales@S4A.cn / Skype: crypton0929
Mob/Whatsapp/Wechat/Viber: +86 130 4080 0588